

SI5500

Orbit®3 – Digital Display

Description

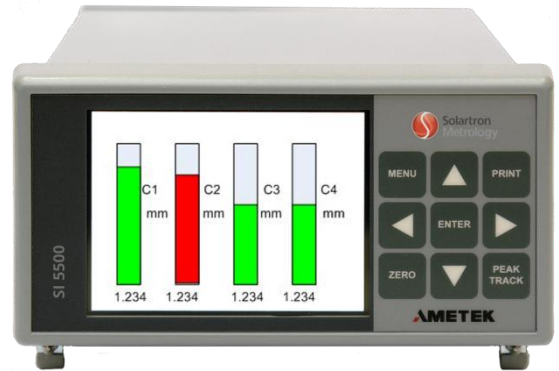
The world leader in digital gauging probe innovation, introduces a new multi function Digital Readout for use with Solartron Metrology's Orbit3 products. The Readout can interface up to 31 Orbit3 Module and supports Digital probes, Linear Encoders and Encoder Input Modules and laser sensors. It gives the user the option to select data display formats and program metrology functions.

The SI5500 features an intuitive, menu driven multiple channel display which can be programmed to display readings, set Limits/Alarms, Peak Hold, Track or act as a Data Logger. The screen can be set-up as single channel or multiple channel configurations. Users can construct mathematical formulae and Algebraic Equations to get wide variety of results for their gauging applications.

It reports dynamic Min/Max measurements, supports discrete Inputs/outputs and offers RS232 connectivity to PCs and other peripherals. A password protection feature is also available for supervisory access.

Features

- Intuitive menu
- Accepts up to 31 Orbit®3 Sensors
- Suite of Mathematical Functions for each channel
- Auto colour change for in/out limit range
- Colour Display LCD Screen
- User selectable bar panel or text display
- Auto course/fine resolution
- Gauging Mode
- Peak hold facility
- Data logging facility
- RS232 Connectivity
- 0.01 µm display resolution
- Available with Digital probes, Linear Encoders, Encoder Input modules and laser sensors
- Discrete I/O

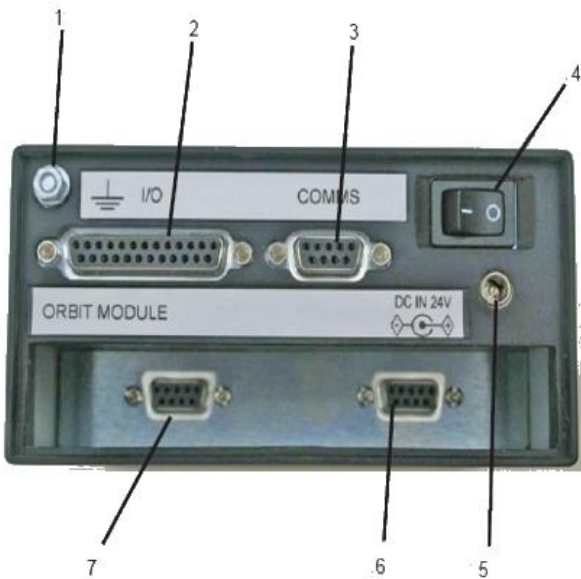


SI5500 can connect to a stack of up to 31 Orbit®3 Modules

DM-SENSORS

Interfacing to the SI5500

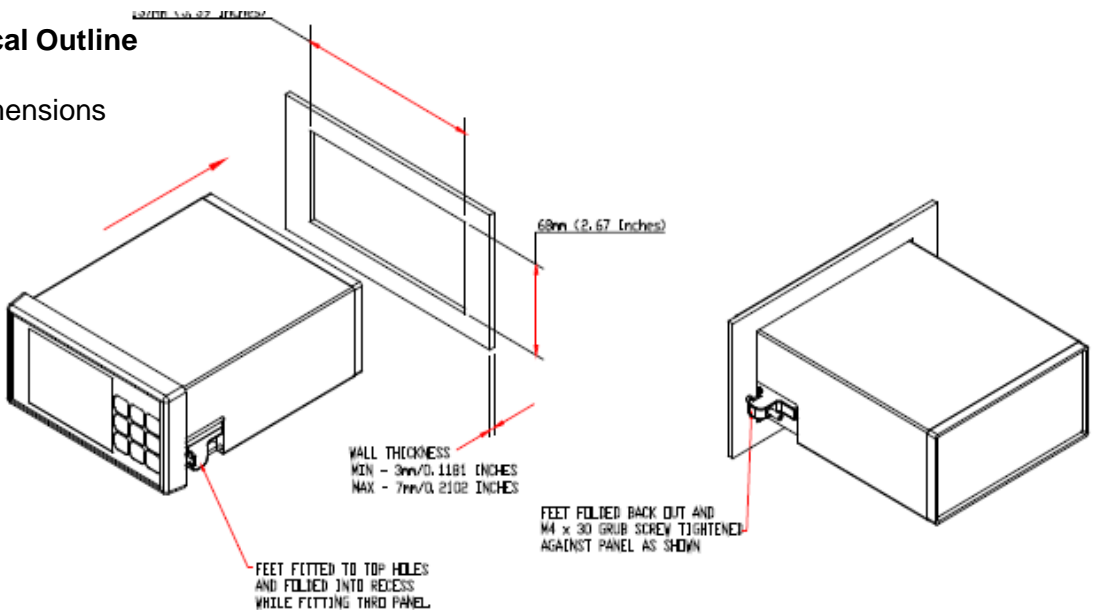
SI5500 Interfaces with Digital Probes, Linear Encoders and Encoder Input Modules



1. Screen Earth
2. Input/Output Connection
3. RS232 Communications
4. 24V DC ON/OFF Switch
5. 24V DC Supply
6. Orbit Connection
7. Orbit Connection

Mechanical Outline

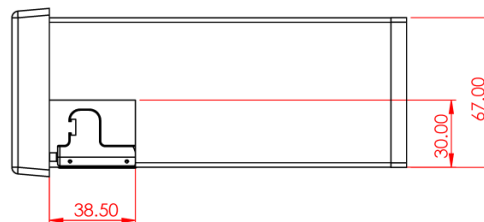
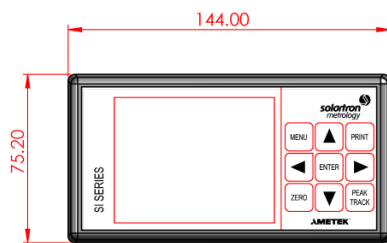
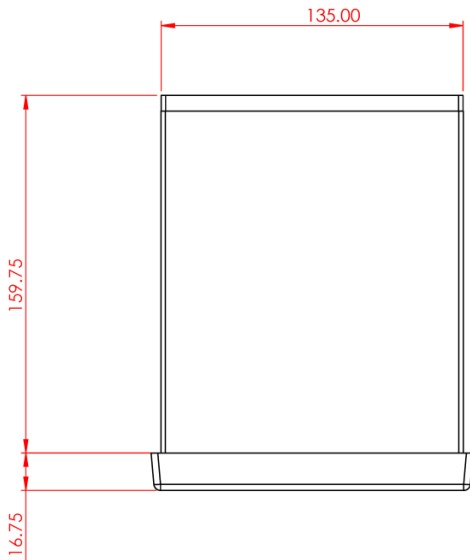
Panel Dimensions



Technical Specification

LCD Display	
Digital	2 x Colour LCD
Analogue Display	Selectable 1,2,4,8,16 Channel Vertical Bar
Text Display	Selectable 8,16 Channel Text Display
Update Speed	Depends on the complexity of formula used
Nominal value is: 20Hz	Depends on the complexity of formula used
Display Length (metric)	± XX.XXXXX (User Selectable)
Display Length (imperial)	± XX.XXXXXXX (User Selectable)
Resolution (metric)	Down to 0.01 µm (User Selectable)
Resolution(imperial)	Down to 0.000001" (User Selectable)
Keypad	
Membrane (9 keys)	Print, Zero, Up, Down, Left, Right, Enter, Peak/Hold/Track, Menu
Measurement Type	User Configurable. Provides multiple math functions and operators using which user can enter required expression
Data Logging	8 pages of log data with 4000 readings per channel for each page via switch or 1 m - 24 hour time interval
Indications	mm/inch/deg/rad, Lower & Upper Limits, Out of Range, Measurement Mode, Operation mode, Formula expression for the channel
Power Requirements	+24 VDC ± 10%
External I/O	
Serial	RS232 (for Printer or PC)
Discrete Outputs	6 isolated outputs with user configurable functionality
Discrete Inputs	6 inputs with user selectable configuration
Environmental	
Operating Temperature Range (°C)	0 to +50
Storage Temperature Range (°C)	-20 to +50
Electrical Immunity	EN61000-6-2
Electrical Emissions	EN61000-6-3
Front Panel Sealing	IP 65
Mechanical	
Mounting	Bench Top or Panel Mount
Dimensions WxHxD (mm)	Without Bezel: 135 x 67 x 159.75 With Bezel: 144 x 75.20 x 176.5

Assembly Dimensions



DM-SENSORS
Schulstr. 26c
65835 Liederbach

www.dm-sensors.de

T: +49 69 1534 1776
F: +49 69 1534 1777
E: info@dm-sensors.de